

ASTRA



ASTRA



The leader in form, function and value.

No other retail scale printer can match the combination of performance and price exhibited by the new Astra. Engineered from the base to the platter for precise and consistent performance, the Astra incorporates an ergonomic design that successfully delivers customer convenience. Further enhancing operation are the Astra's bright, easy-to-read displays, easy label loading feature, and user-friendly keyboard design.

Simple programming tool

To speed setup, we've created a unique, yet simple software tool that allows quick PLU editing using a PC. In addition, the configuration parameters can be saved to a PC for safe backup.

Expanded memory storage

The Astra can store an amazing 2000 PLUs, virtually ensuring that you'll never run out of memory. That's nearly twice the capacity of others!



AstraLink Editing Screen

Attractive labels...FAST

Eye-catching point of purchase labels determine whether products sit on the shelf or are snatched up by consumers. The Astra excels by producing attractive labels up to 64mm in width and 85mm long...all at an incredibly fast 80mm per second.



Easy label loading

A convenient side-loading label door makes replacing rolls incredibly easy.

Bright, bold display

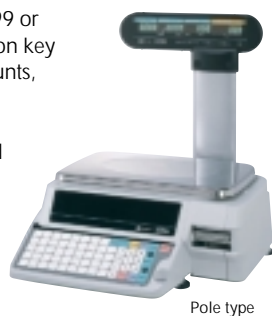


Versatile function keys

Programmable function keys such as "99" or "00" keys allow frequently used prices like \$1.99 or \$2.00 to be entered quickly. Other function key features include three types of price discounts, a Peel Timer key to adjust the interval of continuous label issue, and an Extra Text key to key-in a desired extra text in normal operation.

Applications

- Supermarket
- Deli
- Bakery
- Seafood shop
- C-Store
- Specialty store

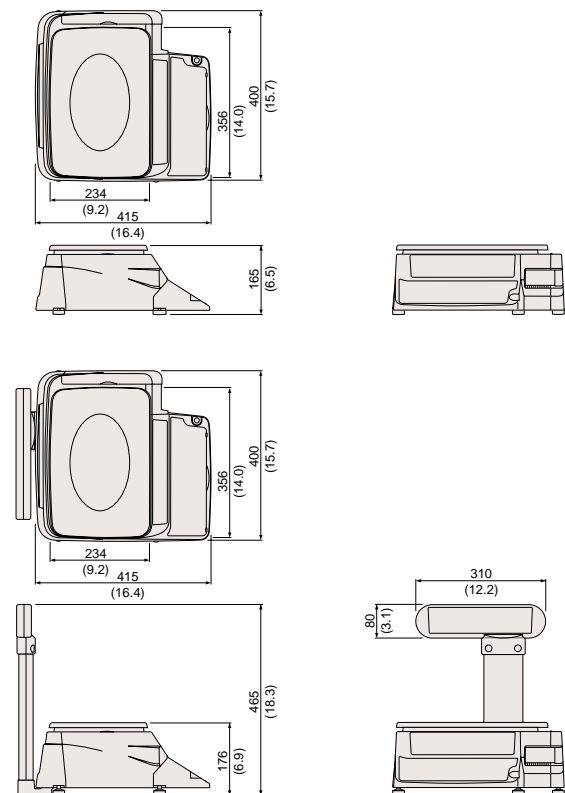


Pole type

Specifications

| | |
|---------------------------|--|
| Capacity | 15 kg, 6 kg |
| Display | (Type 1) Tare: 4 digits, Weight: 5 digits, Unit Price: 5 digits, Total Price: 6 digits (Type 2) Weight: 5 digits, Unit Price: 8 digits, Total Price: 8 digits |
| Accuracy | 1/3000 |
| Minimum Graduations | 0.005 kg, 0.002 kg |
| Label Width | 38 - 64 mm |
| Label Printing Width | Up to 60 mm |
| Label Length | 30 - 85 mm |
| Label Backing Paper Width | Up to 67 mm |
| Printing Speed | 80 mm/sec. |
| Label Roll Dimension | Inside diameter: 40 mm Outside diameter: 100 mm |
| Communications | RS232C (for AstraLink PLU editor) Scale data copy function |
| Keyboard | 64 keys (88 presets using Mode key) |
| Memory Capacity | 256 KB 3800 PLUs (30 characters per PLU) |
| Power Supply | AC 115 V / 220 V / 240 V, 50 / 60 Hz |
| Approvals | UL, C-UL, CE, C-Tick, NTEP |

Dimensions unit: mm (inch)



Specifications subject to change without notice



44 SANNO-CHO, SHOGOIN, SAKYO-KU
KYOTO, 606-8392 JAPAN
PHONE : 81-75-771-4141
FACSIMILE: 81-75-751-1634
URL: <http://www.ishida.co.jp>