



Ergonomic Loop Handle



Non-marking Polyurethane Steer & Load Wheels



Easy to Read High Contrast Display

CPS SERIES

Pallet Jack Scale

- Heavy Duty Construction - ***Designed and Built to Last***
- Small and Compact Electronics - designed specifically for mobile weighing
- Battery Operation - long lasting battery options make the CPS Series simple and easy to use

◀ CPS-1/CPS-2



◀ CPS-3

◀ CPS-4



www.cas-usa.com

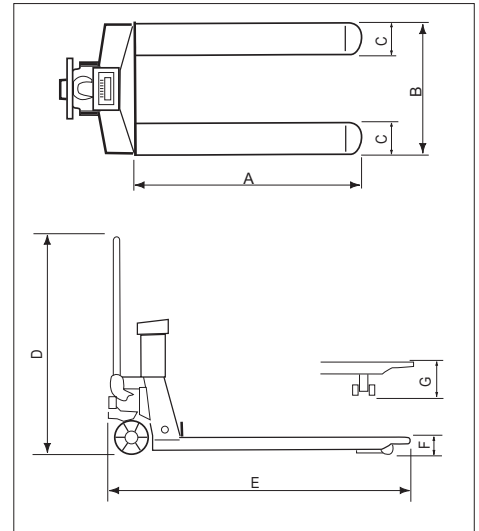
CPS SERIES | Pallet Jack Scale

FEATURES

Five models available...

Commercially approved pallet jack scales to single sensor estimators & checkweighers allow you the versatility to choose the right capability for your application!

- Easy to read - high intensity display
- Battery options
- Lb/kg switchable
- Auto tare
- Programmable SLEEP mode
- Summation of weights with sequence number for totalizing capabilities
- Tapered forks for smooth entry into pallets
- Printer included - CPS-1 & CPS-2/2N Models



Model	CPS-1	CPS-2	CPS-2N	CPS-3	CPS-4
Lb/kg Switchable	●	●	●	●	●
Auto Power Off				●	●
Power: Rechargeable Battery	●	●	●		
Battery Charger Included	●	●	●		
Power: 4 "AA" Batteries				●	●
LCD with Backlight	●	●	●		
Built-in Printer	●	●	●		
NTEP Legal for Trade - COC # 09-003	●		●		

DIMENSIONS

Model	Dimensions (Inches)						
	A	B	C	D	E	F	G
CPS-1/2 Type A	42.5	21.3	6.7	45.5	53.1	3.3	7.2
CPS-1/2 Type B	42.5	24.4	6.7	45.5	53.1	3.3	7.2
CPS-1/2 Type C	47.2	27.8	6.7	45.5	57.8	3.3	7.2
CPS-3	45.3	27.2	7.1	48	61.5	3.3	8.1
CPS-4	48	27	6.3	48	63.75	2.95	7.7

Note: CPS-1/2 Type A & B are special order

SPECIFICATIONS

Model		CPS-1	CPS-2	CPS-2N	CPS-3	CPS-4
Weighing Capacity	lb	3,000 x 1 lb	5,000 x 1 lb	5,000 x 2 lbs	5,000 x 2 lbs	5,500 x 10 lbs
	kg	1,000 x 0.5 kg	2,000 x 0.5 kg	2,000 x 1 kg	2,000 x 1 kg	2,500 x 5 kg
Approvals		NTEP/Commercially Approved	Non-Commercial	NTEP/Commercially Approved	Non-Commercial	Estimator/Non Commercial
Accuracy		0.1% - 0-5,000 lbs			0.1% - 0-4,000 lbs 0.5% - 4,000-5,000 lbs	0.9% - 0-4,400 lbs 1% - 4,400-5,500 lbs
Display Digit		5 Digit LCD (1 Inch)	5 Digit LCD (1 Inch)	5 Digit LCD (1 Inch)	5 Digit LCD (1 Inch)	5 Digit LCD (.75 Inch)
Keys		Zero, Tare, Gross/Net, Kg/Lb, Print, Power			Summation, Zero, Unit/Power	
Power Source		Rechargeable Battery, 6V (Charger Included)			4 - "AA" Batteries (may use rechargeable)	
Operating Time		24 to 48 hours depending upon option use and configuration settings			Avg 1 Yr w/Auto Shutoff Feature - 10 weighings per day	
Operating Temp		-10°C ~ 40°C / 14°F ~ 104°F				
Product Weight		305 lbs / 138 kg	305 lbs / 138 kg	305 lbs / 138 kg	275 lbs / 125 kg	203 lbs / 92 kg



99 Murray Hill Parkway
East Rutherford, NJ 07073
TEL: (201) 933-9002
FAX: (201) 933-9025
<http://www.cas-usa.com>

Specifications are subject to change for improvement without prior notice.