

RL9000 TWM

light- to heavy-capacity mount assembly

- Tanks
- Bins
- Hoppers

RICE LAKETM
WEIGHING SYSTEMS

Commitment Beyond Measurement[®]

RL9000 TWM

light- to heavy-capacity
mount assembly



The RL9000 TWM tank weigh module's stainless steel construction provides accurate weighing technology for hostile environment applications. Its low profile configuration maximizes space and its all-in-one construction minimizes installation time. Furthermore, the RL9000 TWM will accurately weigh even if the base is off level by as much as 3°.

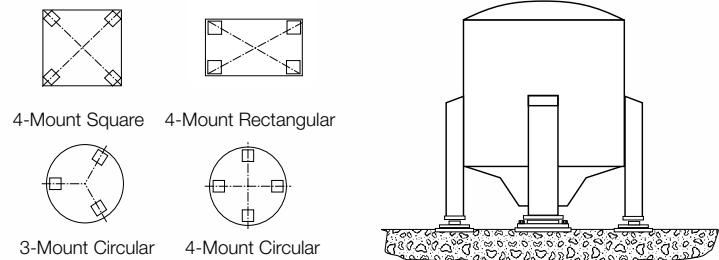
A broad range of weighing capacities from 1,000 lb to 450,000 lb enables its use in virtually any weighing application. What's more, the 100% uplift protection and self-checking design provide extreme durability. The RL9000 TWM comes standard with welded seal.

Overall, the streamlined design of the RL9000 TWM provides accuracy and durability in hostile environment weighing applications.

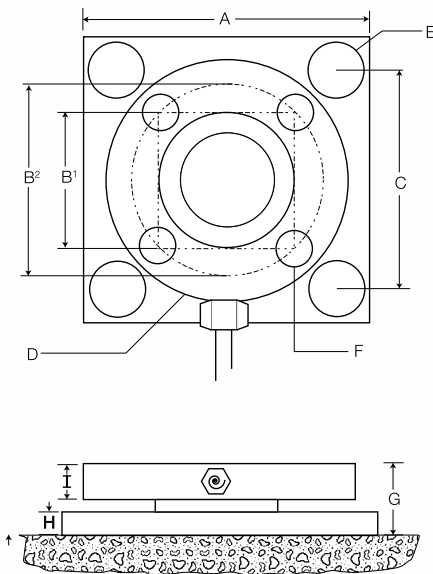
Standard Features

- Capacities per assembly: 1000 lb – 450,000 lb
- Self-checking in all directions eliminates external hardware
- 100% uplift protection
- All-in-one construction minimizes installation time
- Welded seal load cell
- Weighs accurately with up to a 3% unparallel loading
- 300% overload protection
- Stainless steel for hostile environment applications
- Low-profile design

Vertical & Horizontal Vessel Arrangements



Capacities/Dimensions



	1-15k	20-50k	60-100k	150-250k	250-450k
	inches/mm	inches/mm	inches/mm	inches/mm	inches/mm
A	4.0/102	7.0/178	8.0/203	10.0/254	12.0/305
B¹	2.0/51 sq	3.75/95 sq	4.25/108 sq	NA	NA
B²	NA	NA	NA	7.88/200 BC	8.38/213 BC
C	3.25/83	5.5/140	6.5/165	8.0/203	10.0/254
D	3.5/89	6.0/152	7.0/178	9.0/229	10.0/254
E	0.4/10	0.63/16	0.81/21	1.1/27	1.3/33
F	3/8-16	1/2-13	3/4-16	1-14	7/8-14
G	1k-10k 1.35/34 15k 1.60/41	2.48/63	2.50/64	4.75/121	6.42/163
H	1k-10k 0.38/10 15k 0.63/16	0.75/19	1.0/25	2.0/51	3.0/76
I		0.75/19	1.25/32	1.7/43	2.25/57

Your Rice Lake Weighing Systems distributor is:



Commitment Beyond Measurement®

230 W. Coleman St. • Rice Lake, WI 54868 • USA
TEL: 715-234-9171 • FAX: 715-234-6967 • www.ricelake.com

© 2007 Rice Lake Weighing Systems PN 86775 11/07
Specifications subject to change without notice